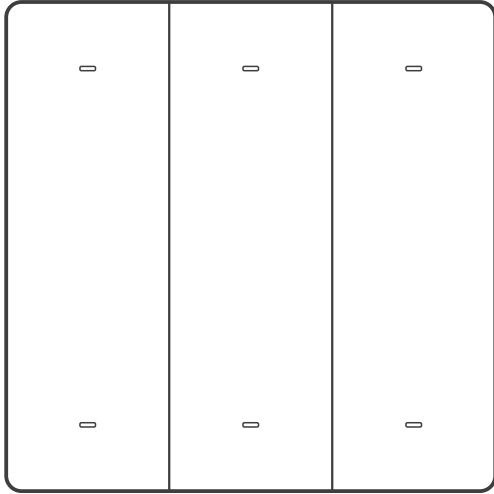




SwitchMan **R5**

User Manual V1.1



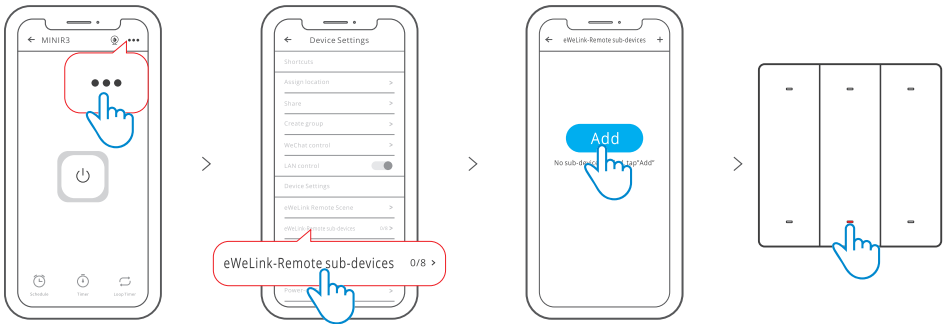
SwitchMan Scene Controller

Before using R5, please take out the battery insulation sheet.

Feature

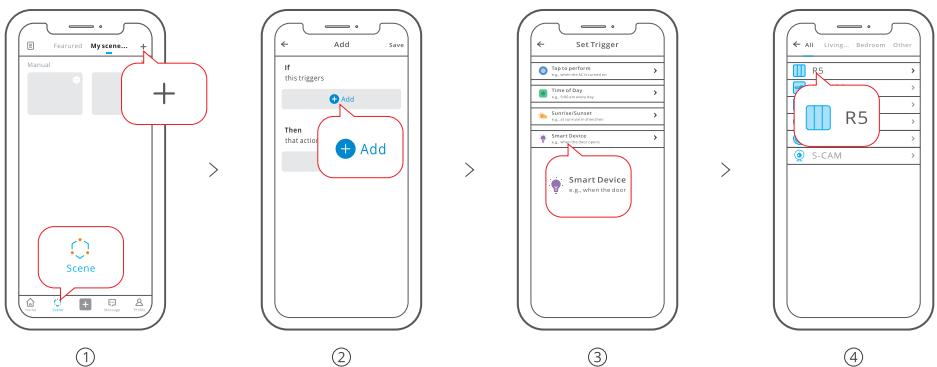
R5 is a 6-key scene remote controller and can work with the sub-devices with “eWeLink-Remote” feature. When R5 is added into the gateway successfully, it can trigger other smart devices by setting Scene on eWeLink App.

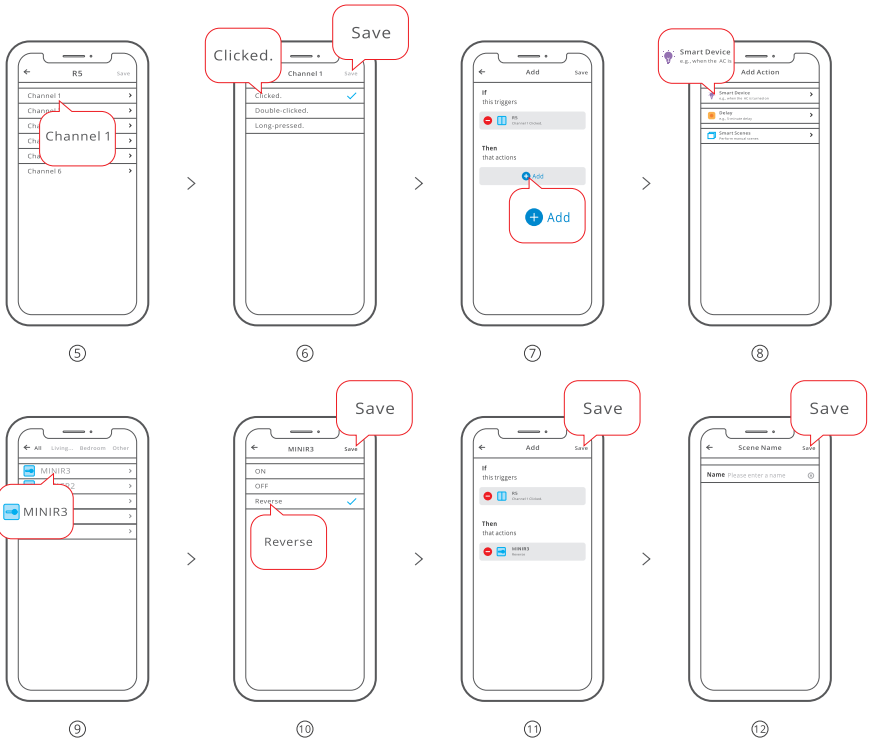
Add R5 to “eWeLink-Remote” gateway



Enter the setting interface of “eWeLink-Remote” gateway, click “eWeLink-Remote sub-devices” and “add”, then trigger any button on R5 to add successfully.

Set scene control





Product Parameter

Model: R5

Color: Dim Gray

Working temperature: 0°C- 40°C

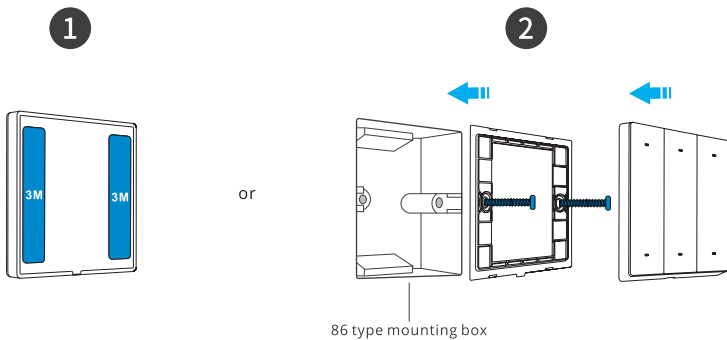
Power supply: 6V (3V button cell x 2)

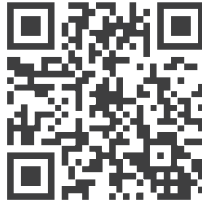
Battery model: CR2032

Casing material: PC V0

Product Size: 86x86x13.5mm

Installation Methods





<https://sonoff.tech/usermanuals>

Scan the QR code or visit the website to learn about the newest user manual and help.

FCC Warning

Changes or modifications not expressly approved by the party responsible for compliance could avoid the user's authority to operate the equipment.

This device complies with part 15 of the FCC Rules. Operation is subject to the following two conditions: (1) This device may not cause harmful interference, and (2) this device must accept any interference received, including interference that may cause undesired operation.

FCC Radiation Exposure Statement:

This equipment complies with FCC radiation exposure limits set forth for an uncontrolled environment. This transmitter must not be co-located or operating in conjunction with any other antenna or transmitter.

Note:

This equipment has been tested and found to comply with the limits for a Class B digital device, pursuant to part 15 of the FCC Rules. These limits are designed to provide reasonable protection against harmful interference in a residential installation. This equipment generates, uses and can radiate radio frequency energy and, if not installed and used in accordance with the instructions, may cause harmful interference to radio communications. However, there is no guarantee that interference will not occur in a particular installation. If this equipment does cause harmful interference to radio or television reception, which can be determined by turning the equipment off and on, the user is encouraged to try to correct the interference by one or more of the following measures:

- Reorient or relocate the receiving antenna.
- Increase the separation between the equipment and receiver.
- Connect the equipment into an outlet on a circuit different from that to which the receiver is connected.
- Consult the dealer or an experienced radio/TV technician for help.

Hereby, Shenzhen Sonoff Technologies Co., Ltd. declares that the radio equipment type R5 is in compliance with Directive 2014/53/EU. The full text of the EU declaration of conformity is available at the following internet address:

<https://sonoff.tech/usermanuals>

Shenzhen Sonoff Technologies Co., Ltd.

3F & 6F, Bldg A, No. 663, Bulong Rd, Shenzhen, Guangdong, China

Website: sonoff.tech

ZIP code: 518000

MADE IN CHINA

